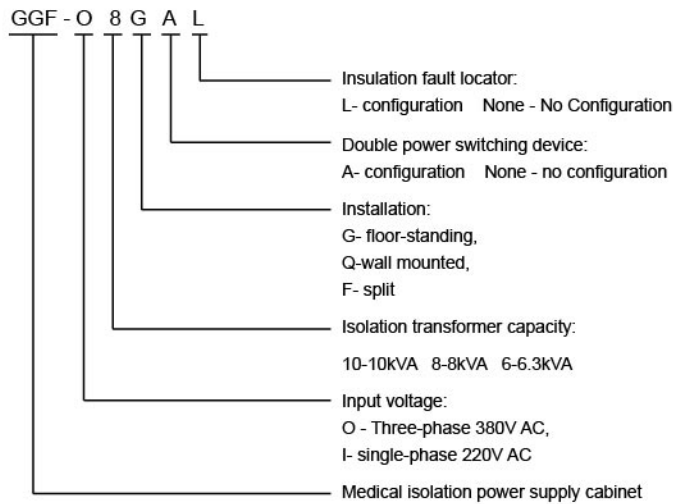


Medical Isolation Power Supply Cabinet

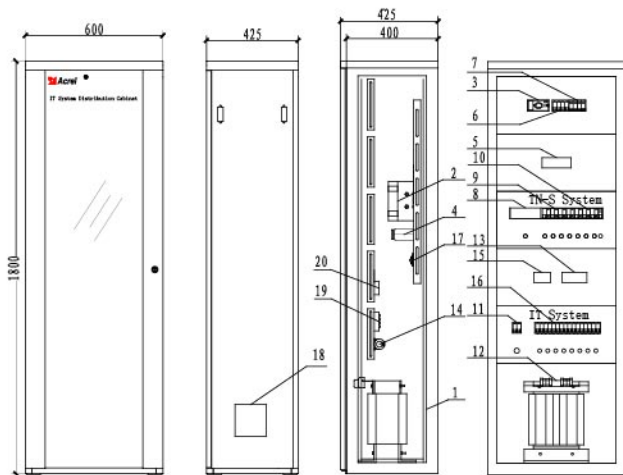


Product Type and Meaning



Dimension Drawings and internal layout

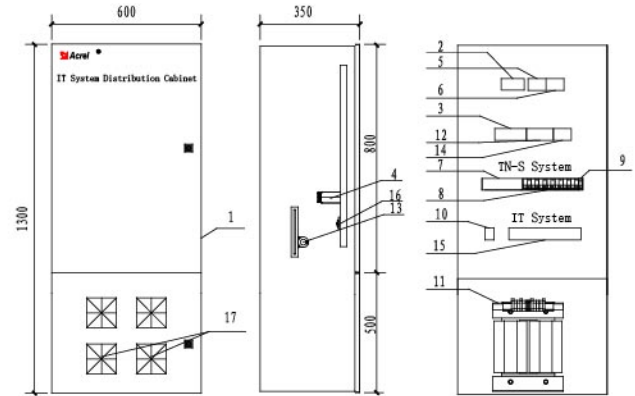
■ GGF Series floor-mounted distribution cabinet



NO.	Name	NO.	Name
1	cabinet body	6	Circuit breaker
2	Double power switching device	7	Surge protector
3	Disconnecting switch	8	Residual current protector
4	Current transformer	9	Residual current protector
5	Power meter	10	Circuit breaker

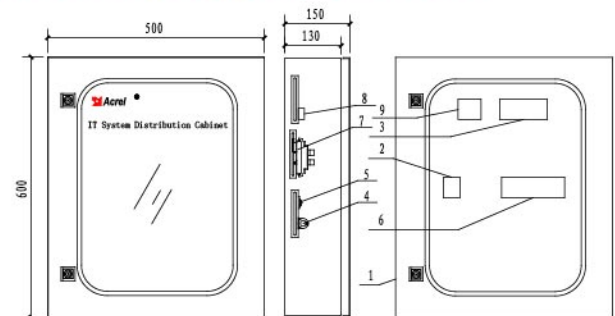
NO.	Name	NO.	Name
11	Circuit breaker	16	Circuit breaker
12	Isolated transformer	17	PE
13	Insulation monitoring device	18	Cooling fan
14	Current transformer	19	Insulation fault locator
15	Test signal generator	20	Power module

■ GGF Series wall-mounted distribution cabinet



NO.	Name	NO.	Name
1	cabinet body	10	Circuit breaker
2	Double power switching device	11	Isolated transformer
3	Power meter	12	Insulation monitoring device
4	Current transformer	13	Current transformer
5	Circuit breaker	14	Power module
6	Surge protector	15	Circuit breaker
7	Residual current protector	16	PE
8	Residual current protector	17	Cooling fan
9	Circuit breaker		

■ GGF Series split type distribution cabinet



NO.	Name	NO.	Name
1	cabinet body	6	Circuit breaker
2	Circuit breaker	7	Insulation fault locator
3	Insulation monitoring device	8	Power module
4	Current transformer	9	Test signal generator
5	PE		

Technical parameters

Technical parameters	GGF-IXG	GGF-IXQ	GGF-IXF	GGF-OXG	GGF-OXQ	GGF-OXF
Rated voltage	220V AC			380V/220V AC		
Rated capacity	3.15/5/6.3/8/10		—	3.15/5/6.3/8/10		—
Rated frequency	50/60Hz					
Distribution circuit	IT Systems: 4 or 5 channels AC220V (can be customized)			IT Systems: 8 channels AC220V (can be customized)		
	—			TN—S Systems: 1 AC380V, 8 AC220V		
IP level	IP31	IP34D		IP31	IP34D	
Installation	Grounded	Embedded		Grounded	Embedded	
Inlet and outlet line	Bottom inlet and bottom outlet	Both bottom and top have access lines		Bottom inlet and bottom outlet	Both bottom and top have access lines	
Communication	RS485(Modbus-RTU)					